

Product Highlights

Rugged Construction

IP66 weatherproof housing makes DCS-F4712 ideal for surveillance applications

Full HD Resolution with Wide Dynamic Range

A high-resolution megapixel sensor provides 1080p resolution while Wide Dynamic Range technology ensures that you capture the details you need

Complete Day/Night Surveillance Solution

Keep watch over an area 24 hours a day with built-in night vision; the IR LEDs and automatic IR cut filter gives you a clear picture, even in complete darkness



DCS-F4712

2MP Full HD Day & Night Outdoor Fixed Bullet Network Camera

Features

Exceptional Video Quality

- 1 /2.7" 2 Megapixel Progressive Scan CMOS sensor
- HD resolution of 1920 x 1080
- Wide Dynamic Range image enhancement
- H.264, MJPEG codec support for streaming and recording
- Motion detection
- Privacy mask
- 3D filtering reduces noise in low-light environments

Outdoor Placement

- Built-in IR LED illuminator with a 15 meter range for use in dark areas
- Range of mounting options for flexible placement
- Rugged IP66 weatherproof housing

Network

- 10/100 Fast Ethernet port
- Power over Ethernet (PoE) ensures easy and flexible integration into your network

D-Link DCS-F4712 Vigilance Full HD Outdoor Bullet Network Camera is a high definition professional surveillance and security solution suitable for small, medium, and large enterprises. The camera uses a high-sensitivity 1 /2.7" 2 megapixel progressive scan CMOS sensor with onboard WDR image enhancement to deliver truly superior quality video in all conditions. The all-in-one rugged design makes this camera extremely reliable and ideal for deployment in surveillance applications.

Multiple Video Streaming & Recording

DCS-F4712 supports simultaneous streaming of H.264 and MJPEG video to provide both high quality and bandwidth-efficient compression formats. First & Second video streams are user configurable for high quality and optimized bandwidth recording while Third predefined low bandwidth stream is suitable for remote monitoring.

Continuous Monitoring

DCS-F4712 WDR image enhancement gives you improved image quality in environments with uneven or difficult lighting, so you can identify subjects that are backlit or in brightly lit areas. In low-light situations, the IR cut filter automatically slides out of the way to use all available light. The DCS-F4712 also has built-in IR LED illuminators with a 15 meter range, allowing the camera to keep watch even in complete darkness. These features work together to give you a reliable surveillance camera capable of monitoring an area 24 hours a day.

2MP Full HD Day & Night Outdoor Fixed Bullet Network Camera

Image Enhancement

DCS-F4712 WDR image enhancement gives you improved image quality in environments with varied light conditions, so you can identify subjects that are backlit or in brightly lit areas.

Smart defog function of camera can process parameters like Colour, Depth of Field and Radiation to create clear image in fog like conditions. The HLC feature allows camera to provide clear images during night vision by adjusting the brightness from strong light sources like head lights & spot lights.

2D and 3D Digital Noise Reduction technology provides clearer images during low light condition by processing the signal and reducing the noise.

Corridor Mode:

DCS-F4712 supports Corridor Mode. After enabling this mode, aspect ratio will be changed to 9:16. This feature is very helpful to deploy camera for monitoring narrow areas like tunnel, Passages or Corridors.

Region of Interest (ROI):

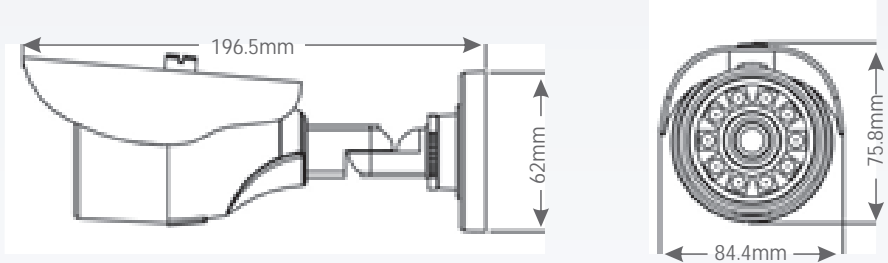

ROI allows you to configure the area of interest to be captured and recorded with higher resolution and rest of the area will be captured with lower resolution. This will help to optimize the required network bandwidth and save storage.

Technical Specifications

Camera Specification

Camera Hardware Profile	• 1 /2.7" 2 Megapixel Progressive Scan ExMor CMOS sensor	• Focal Length: 3.6mm
	• 15 meter IR illumination distance	• Aperture : F2.0
	• Built-in Infrared-Cut Removable (ICR) Filter module, Smart IR support	• Angle of view
	• Minimum illumination:	• (H) 75
	• 0.2 Lux Color mode	• (V) 45
	• 0.01 Lux Black and White mode	• Shutter Speed: Auto 1/1s ~ 1/10,000s
	• 0 Lux Black and White mode with IR LED on	• Digital zoom : 10x
Camera Housing	• IP66 compliant weatherproof housing	• Minimum object distance : 0.3m
Image Features	• IP66 compliant weatherproof housing	• Included sunshield
	• Configurable image size, quality, frame rate, VBR/CBR (500kbps ~ 12 Mbps)	• Configurable privacy mask zones : Total zones 4
	• Time stamp and text overlays	• Configurable Exposure, Brightness, Saturation, Contrast, Sharpness, White Balance, Rotate mode, Corridor mode
	• Customized text overlay	
• Digital Noise reduction with 2D and 3D technology		
• No. of zones configurable for ROI : 8	• Image Enhancement with WDR, HLC	
Video Compression	• Simultaneous H.264 (BP/MP/HP)/MJPEG format compression	• JPEG for still images
	• H.264 multicast streaming	
Video Resolution	• Main Stream : 2.0MP(1920x1080) /1.3MP(1280x960)/1.0MP(1280x720)/D1(704x576)	• Third Stream : Predefined CIF(352x288)/QCIF(172x144)
	• Second Stream : D1(704*576) /2CIF(704x288)/CIF(352x288)/QCIF(172x144)	
Frame Rate	• Selectable upto 30 FPS	
External Device Interfaces	• 10/100 BASE-TX Ethernet port with PoE	
Network		
Network Protocols	• IPv6	• SMTP client
	• IPv4	• HTTP/HTTPS
	• TCP/IP	• PPPoE
	• UDP	• UPnP
	• ICMP	• RTP/RTSP/RTCP
	• DHCP client	• Multicast
	• NTP client	• ONVIF compliant
	• DNS client	• SNMP support
	• DDNS client	
Security	• Administrator and user group protection	• HTTP and RTSP authentication
	• HTTPS encryption for web access hardware watchdog	• Remote client access control

2 MP Full HD Day & Night Outdoor Fixed Bullet Network Camera

System Management	
System Requirements for Web Interface	• IE 11, Chrome, Firefox
Event Management	• Motion detection
	• Alerts to SMTP client
Remote Management	• Event notification and uploading of snapshots via e-mail
	• Multiple event notifications only on mails
OS and Mobile Support	• Configuration interface accessible via web browser
DCMS System Requirement	• Take snapshots
	• Windows 7/8/XP/Vista/2000 and higher
DCMS Software Function	• Android
	• Operating System: 32 Bits - MS Windows XP pro SP3/Visa SPI/Win 7 SPI/ Win 10 64 Bits - Win 7 SPI/Win Server 2008 R2
General	
Weight	• < 0.6KG
Power	• DC 12V & PoE (802.3af)
Power Consumption	• < 3W @ IR Off, < 5W @ IR ON
Temperature	• Operating: -10°C ~ 50°C
Humidity	• Operating: 0% ~ 90% RH non-condensing
Dimension	• 196mm X 62mm
	
Order Information	
Part Number	Description
DCS-F4712	2 MP Full HD Day & Night Outdoor Fixed Bullet Network Camera
Optional Accessory	
DCS-CA319	 Back box for bullet camera